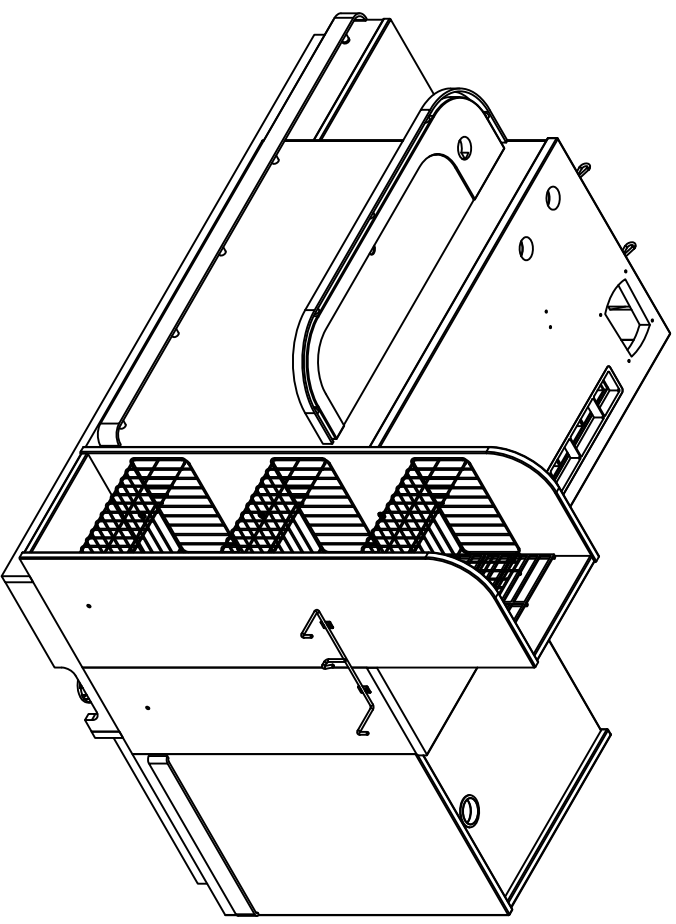
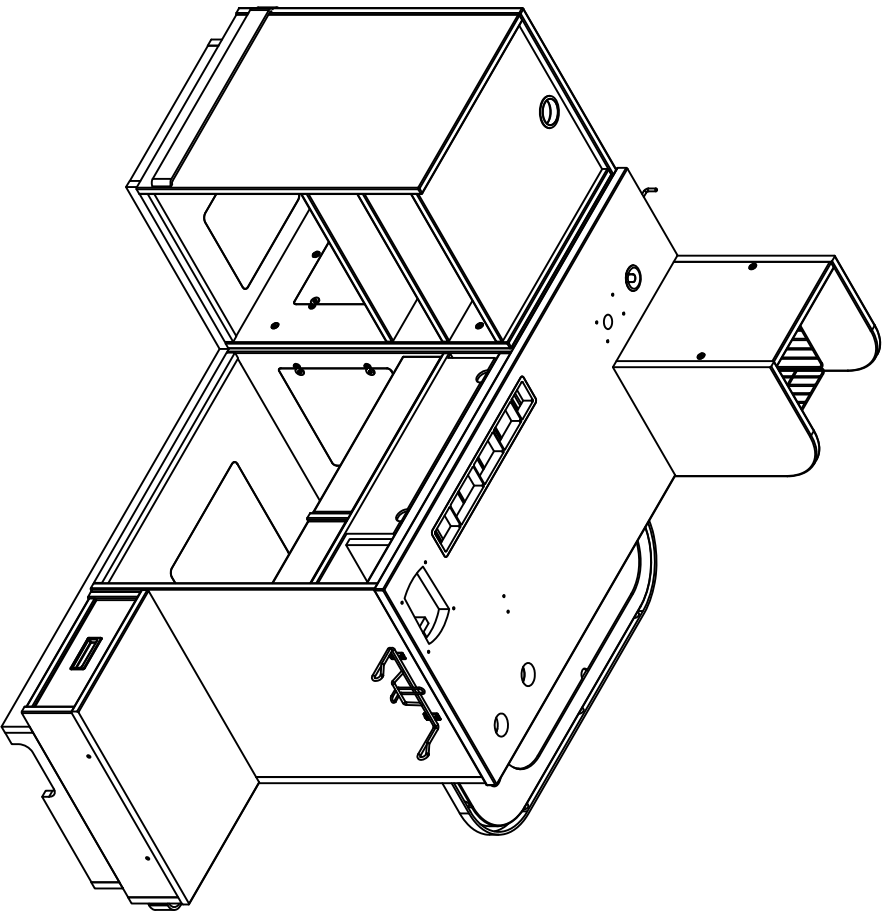




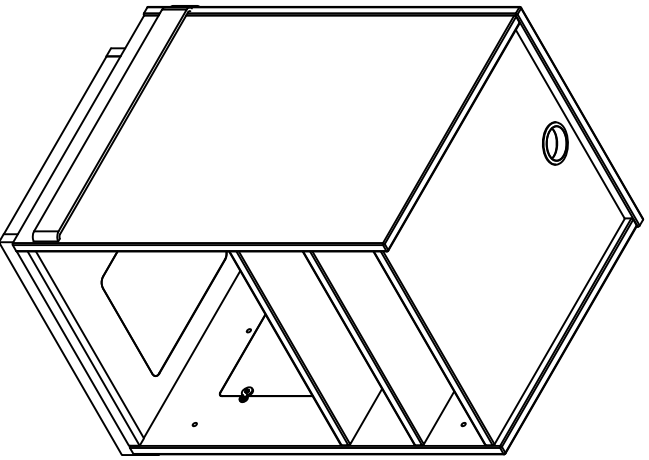
imagine it • design it • build it •

ROSS L SERIES REGISTER

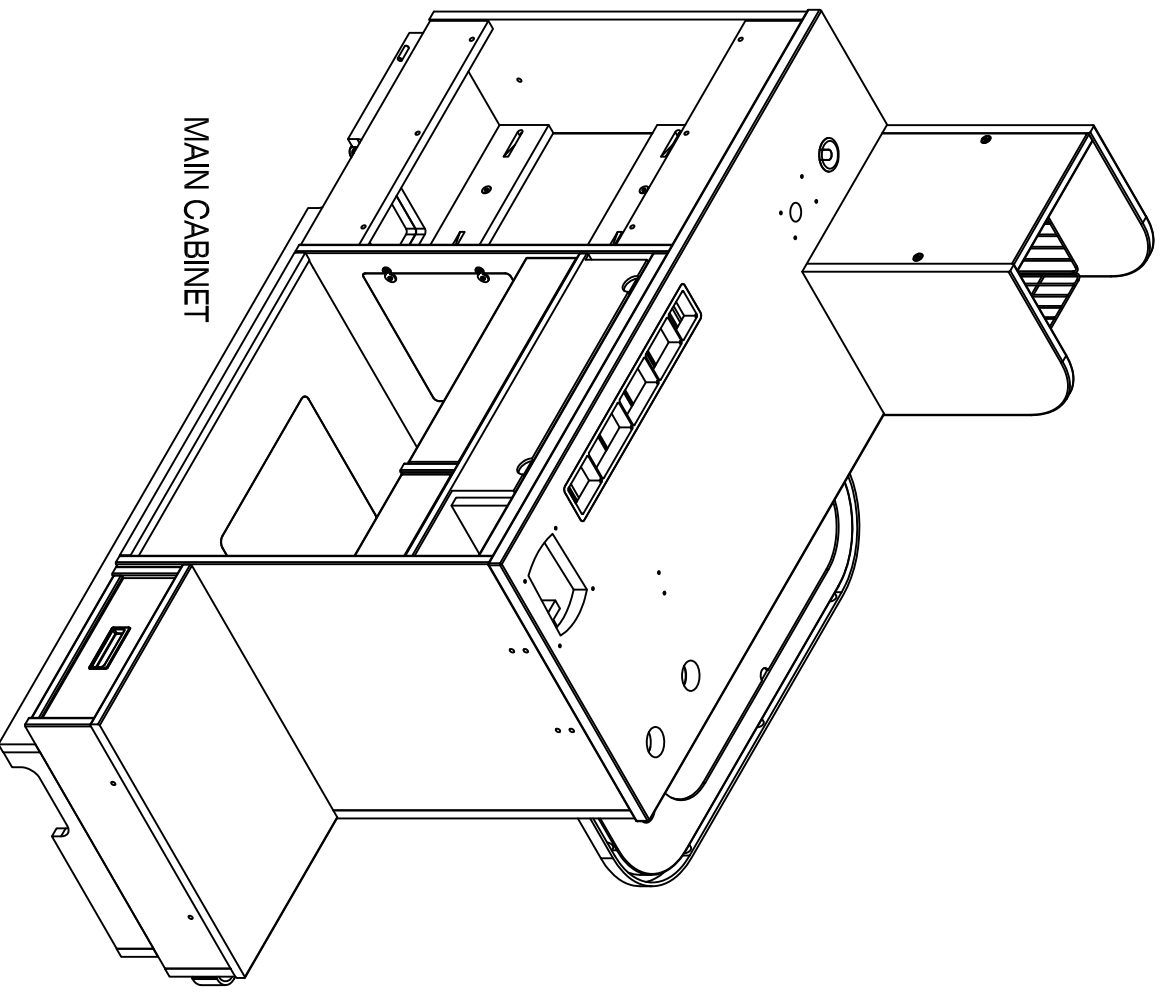
Assembly Instructions



Part List

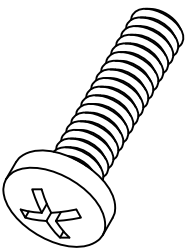



RETURN CABINET

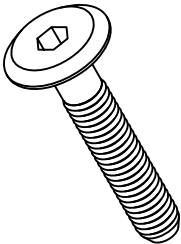


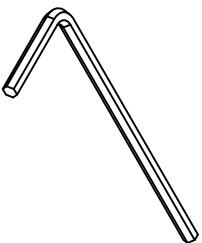
MAIN CABINET

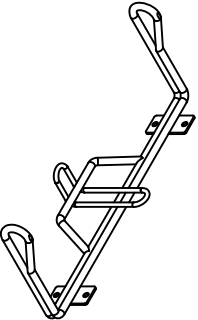
Hardware List

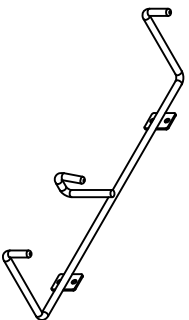
PIN Description: 3/4" PANHEAD SCREW	
QTY. 6	

PIN Description: COMBO HEAD BARREL	
QTY. 1	

PIN Description: 1 1/2" JOINT CONNECTOR	
QTY. 8	

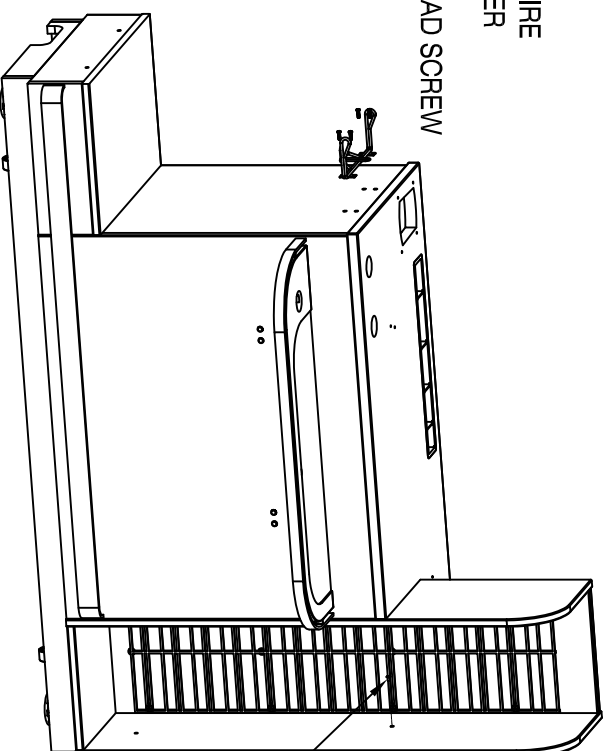
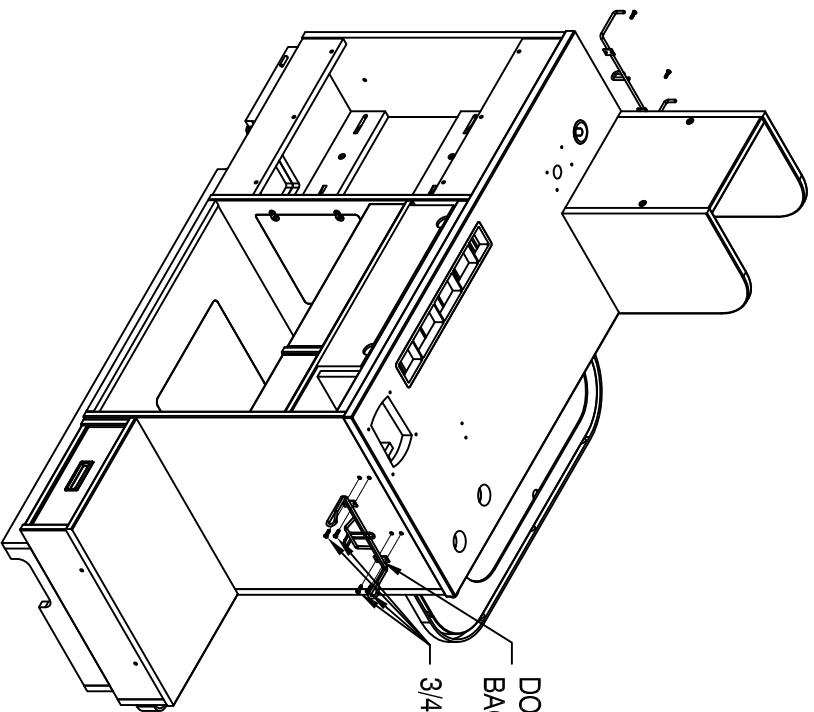
PIN Description: 4mm ALLEN WRENCH	
QTY. 1	

PIN Description: DOUBLE WIRE BAG HOLDER	
QTY. 1	

PIN Description: SINGLE WIRE BAG HOLDER	
QTY. 1	

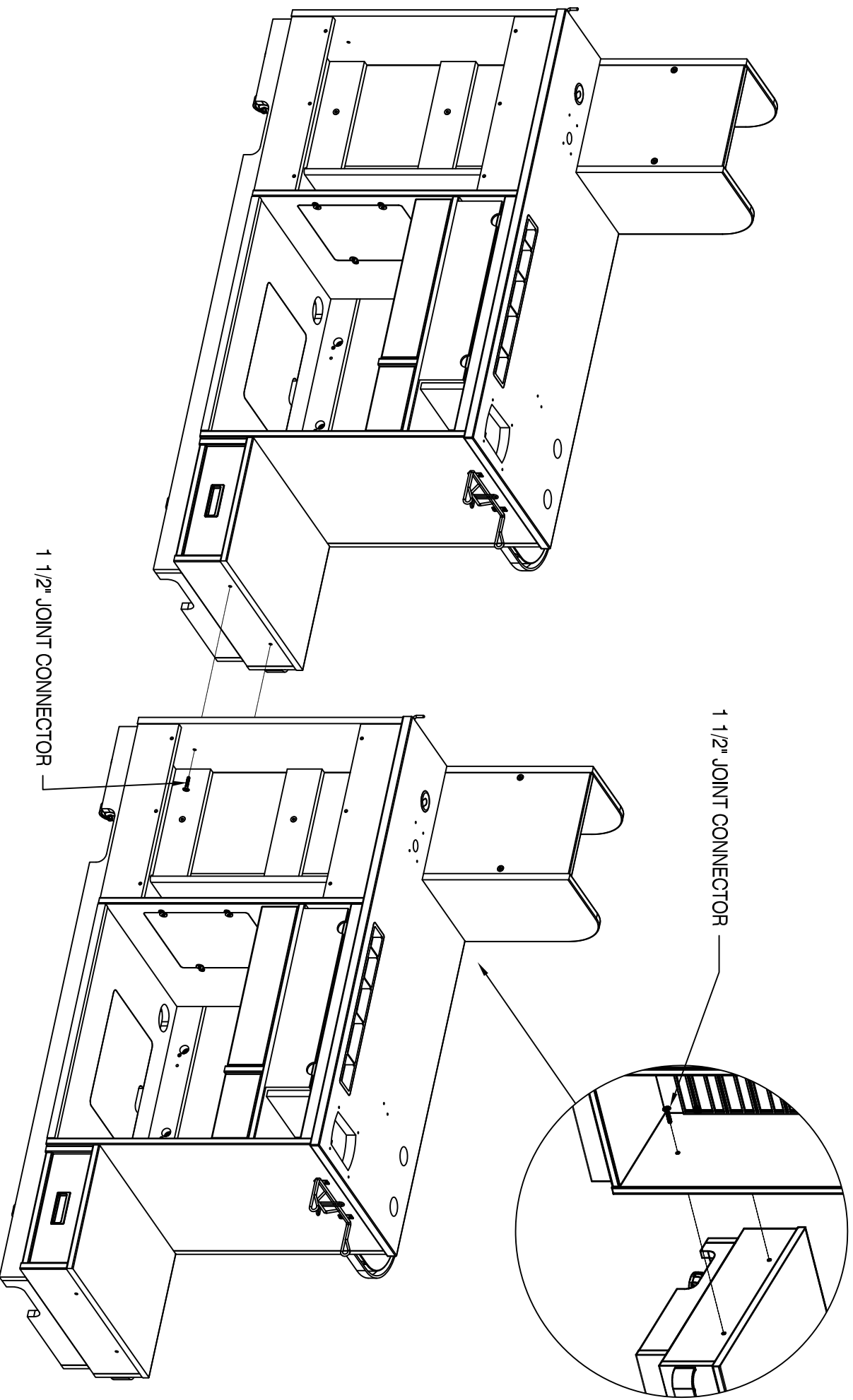
Step 1

ATTACH BAG HOLDERS USING 3/4" PANHEAD SCREWS & COMBO HEAD BARRELS AS SHOWN BELOW.



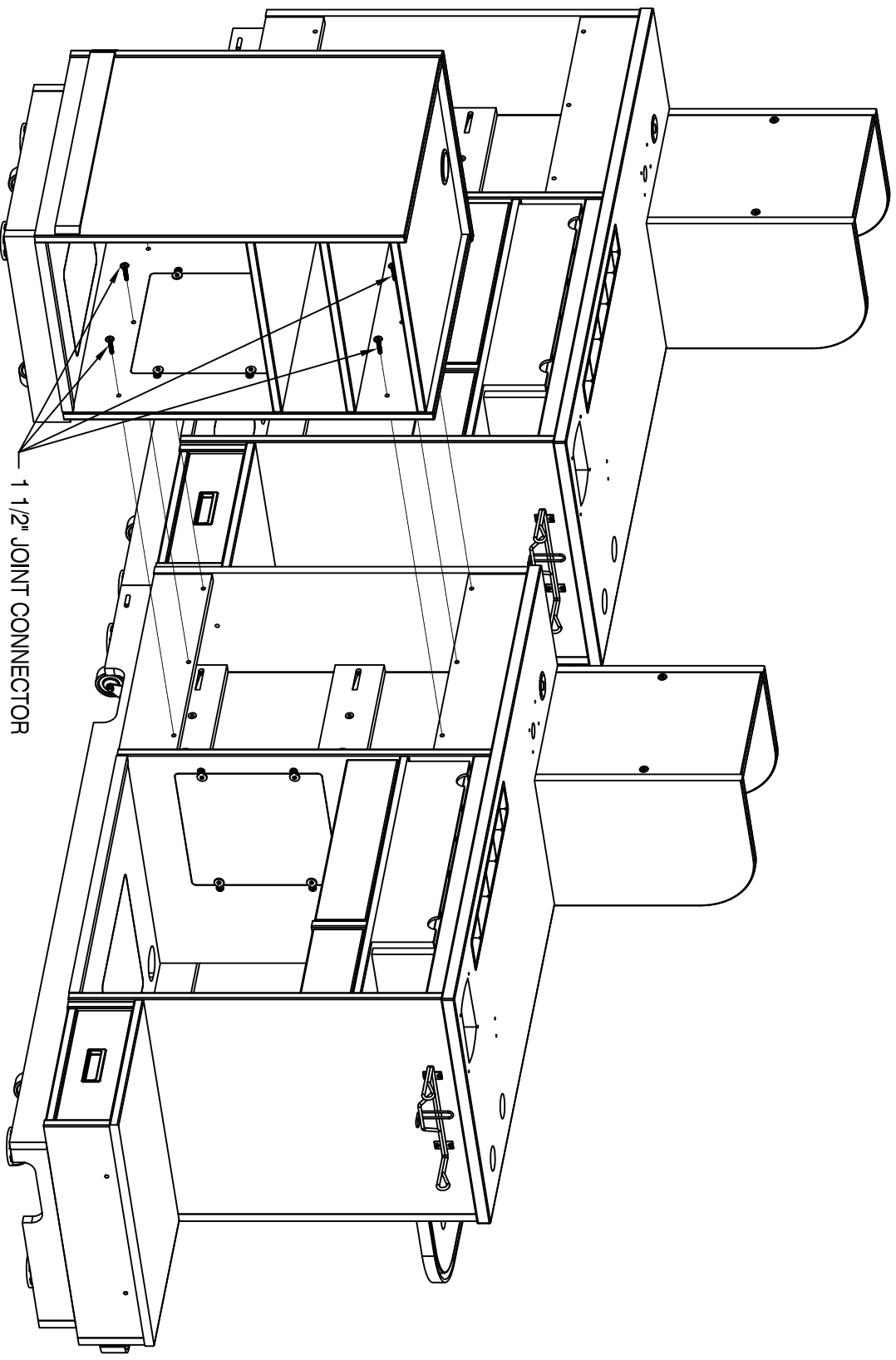
Step 2

ATTACH MULTIPLE CABINETS TOGETHER USING THE 1 1/2" JOINT CONNECTORS AS SHOWN BELOW.



Step 3

CONNECT THE RETURN CABINET TO THE MAIN CABINET USING 1 1/2" JOINT CONNECTORS.



FINAL PRODUCT

