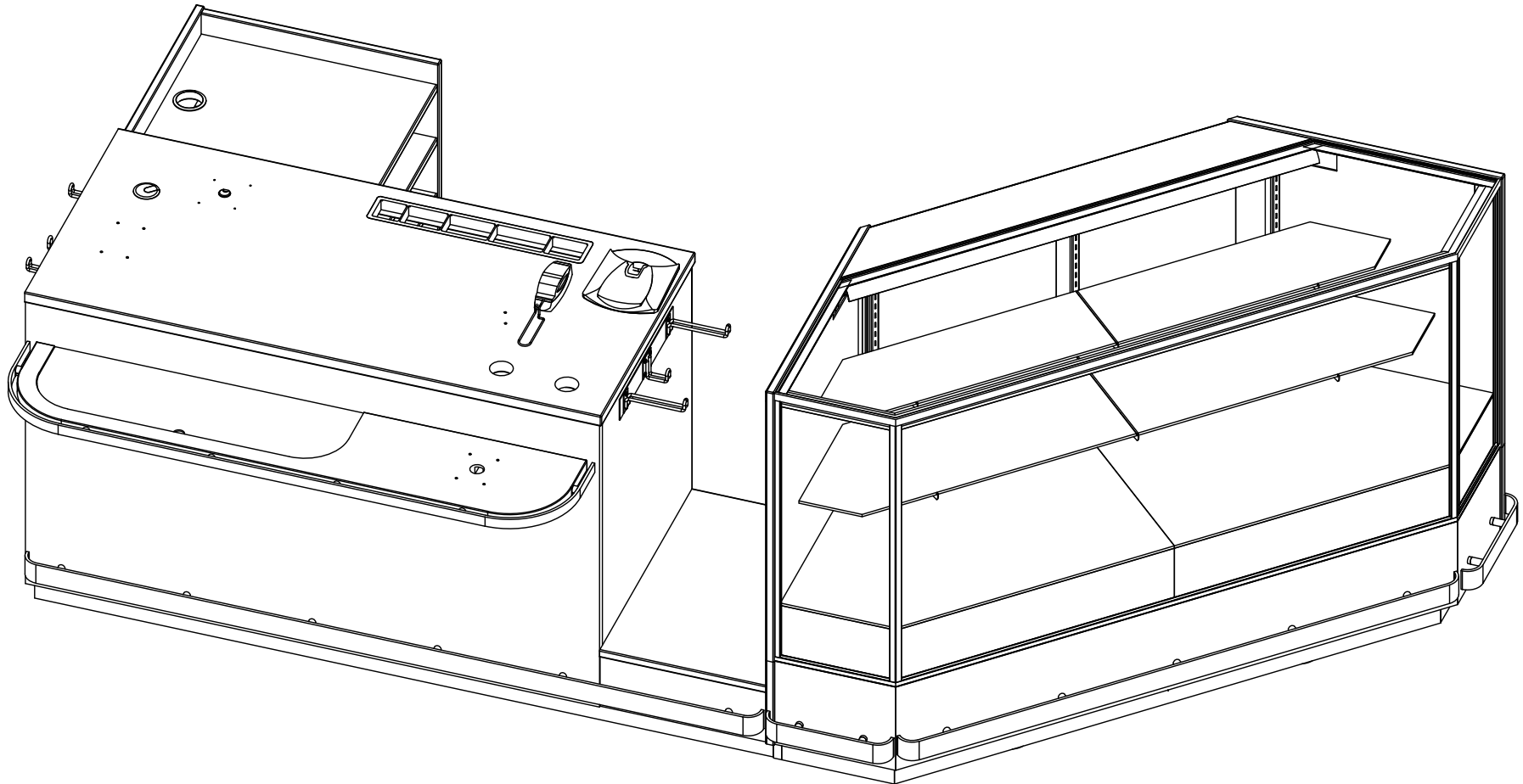




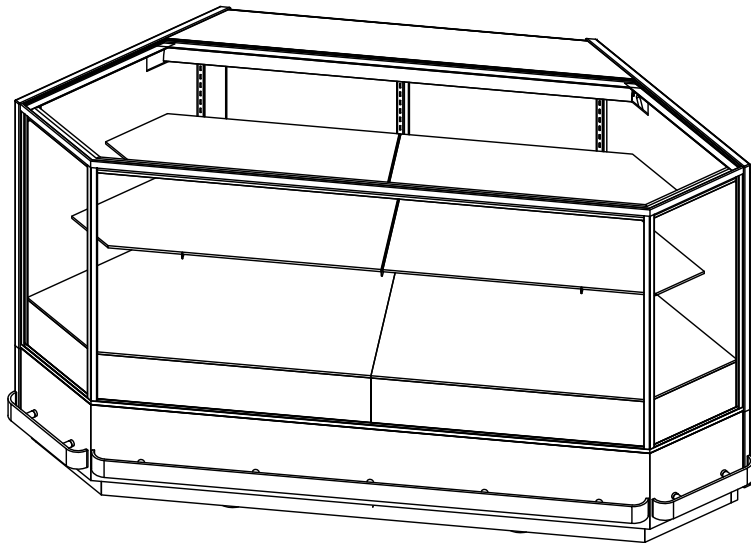
imagine it • design it • build it°

ROSS Corner Showcase to L-Series Counter

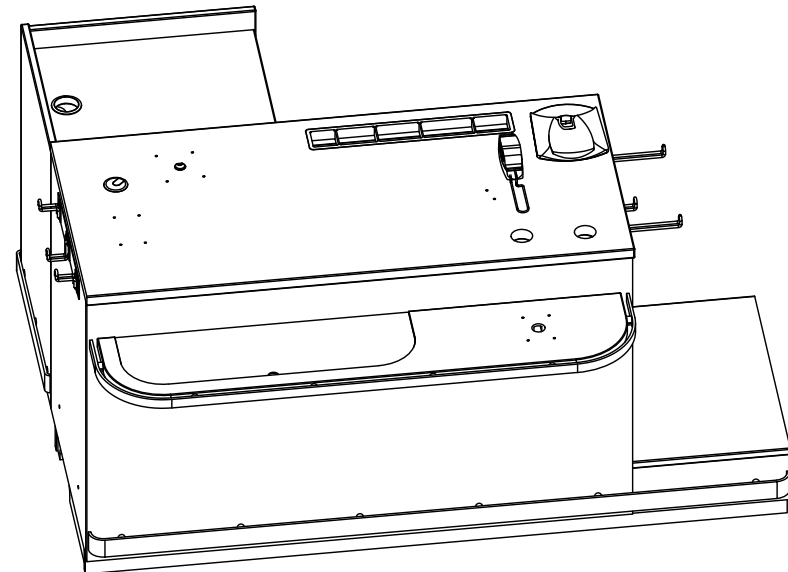
Assembly Instructions



Part List

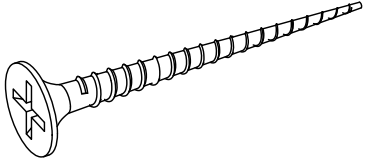



Corner Showcase



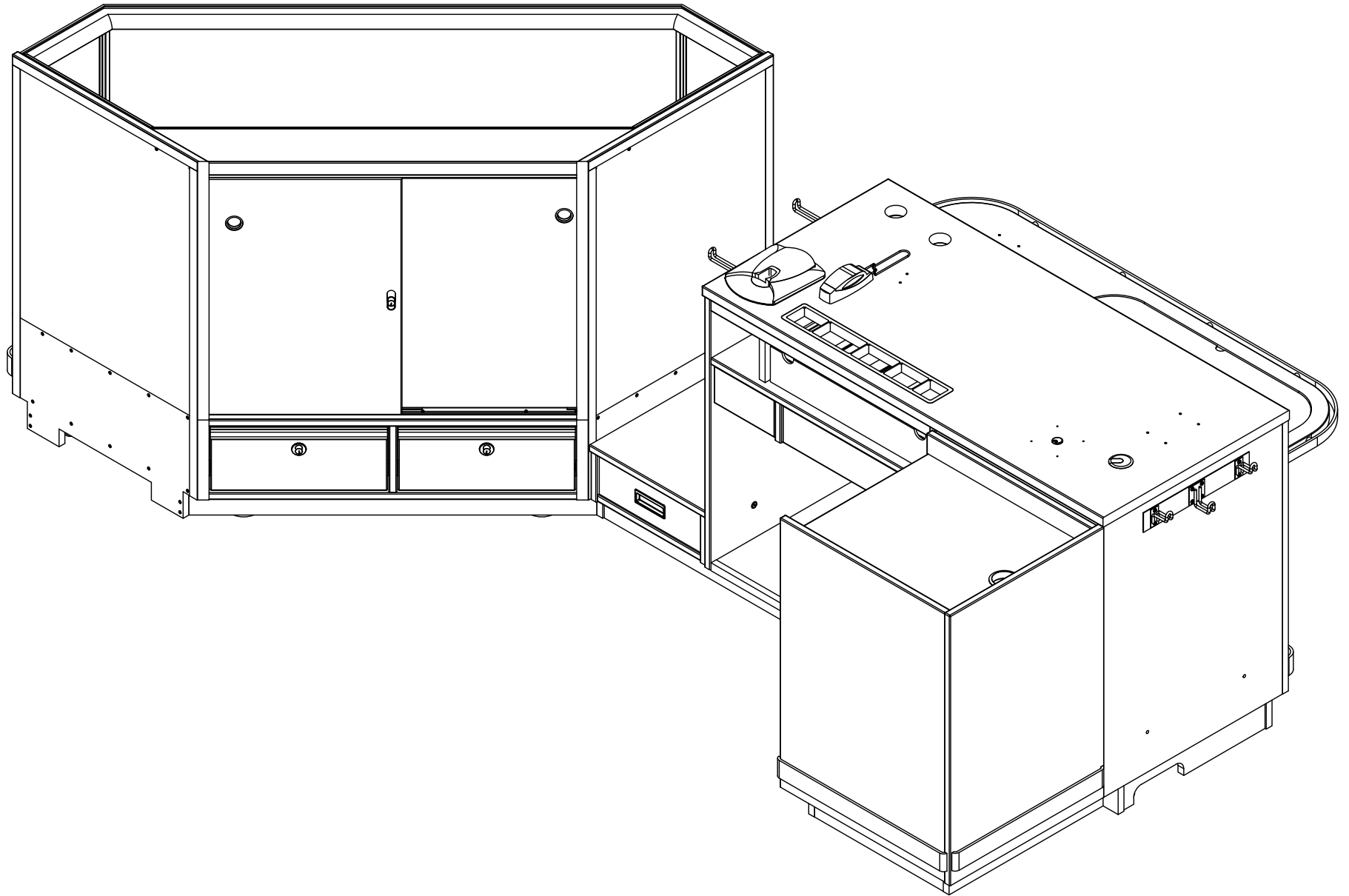
L-Series Counter
Left Hand Shown
Right Hand Opposite

Hardware List

PIN Description: #8 X 1 1/4" Drywall Screw	PIN Description: 17mm dia Cover Cap (Asian Night)
	
QTY. 4	QTY. 20

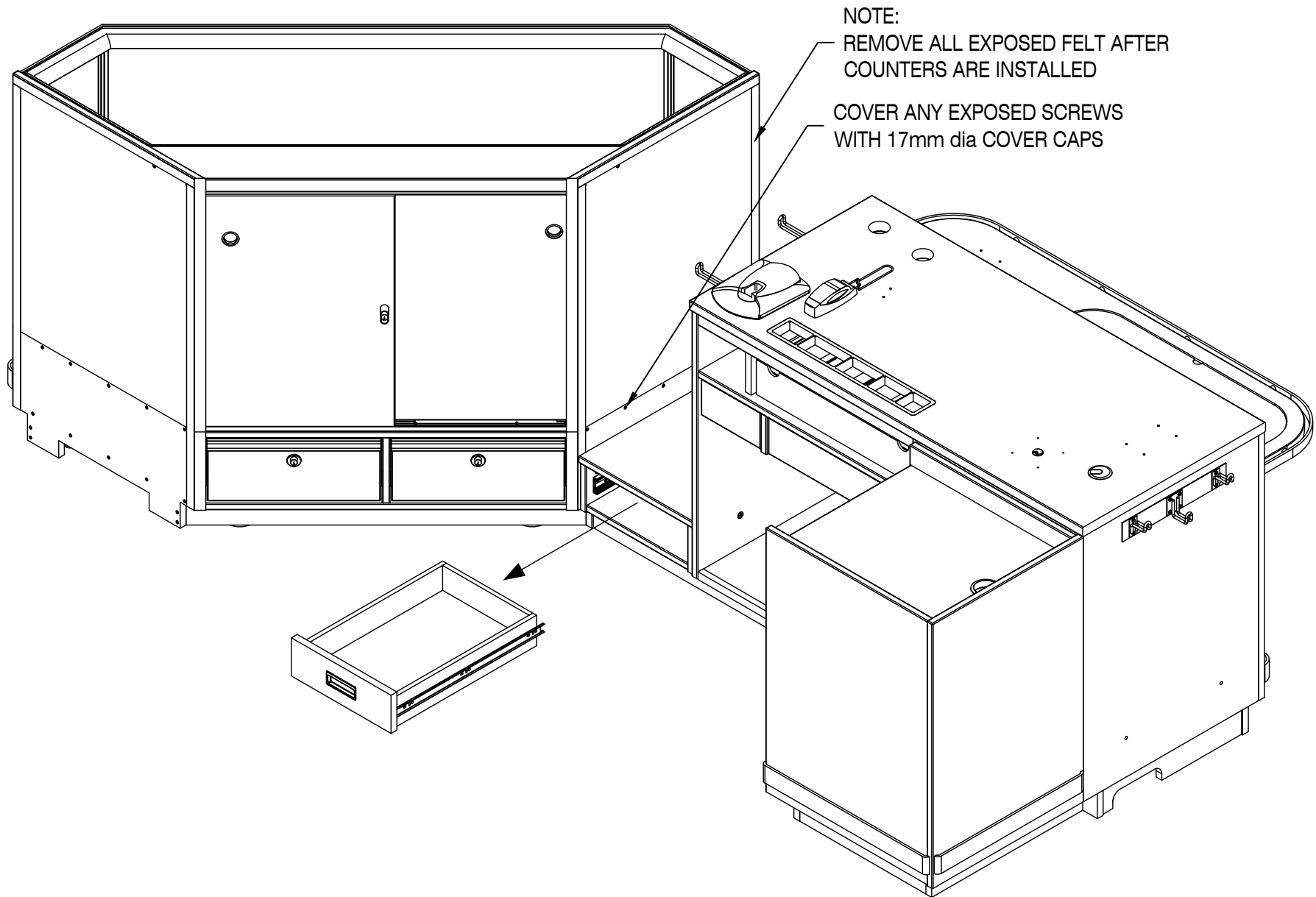
Step 1

SET COUNTERS IN PLACE USING STORE SPECIFIC FLOOR PLAN AS GUIDE. ALIGN BAGWELL END OF L-SERIES COUNTER WITH END OF CORNER SHOWCASE. LEVEL COUNTERS.



Step 2

REMOVE DRAWER FROM L-SERIES BAGWELL.



Step 3

SECURE THE L-SERIES COUNTER TO THE CORNER SHOWCASE USING FOUR #8 X 1 1/4" DRYWALL SCREWS. REPLACE THE BAGWELL DRAWER.

