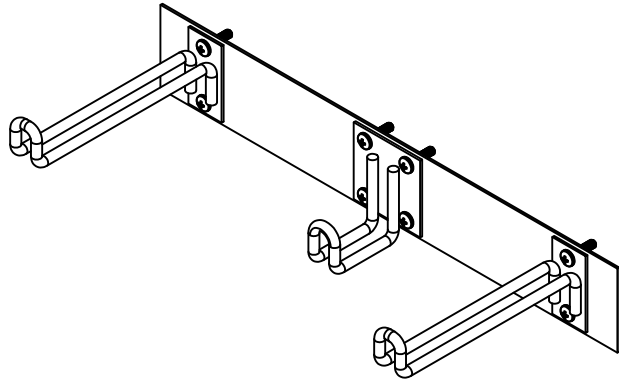




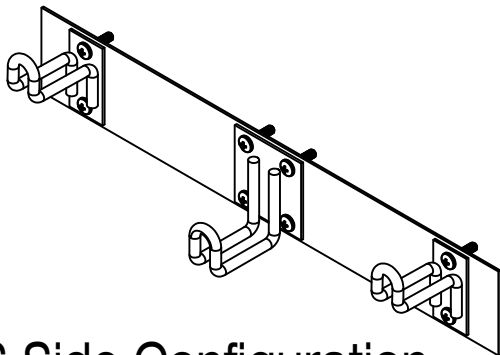
imagine it • design it • build it®

ROSS/DDs Flexible Hook Kits (Transformer Bag Holders) Assembly Instructions

Single Use Disposable Bags

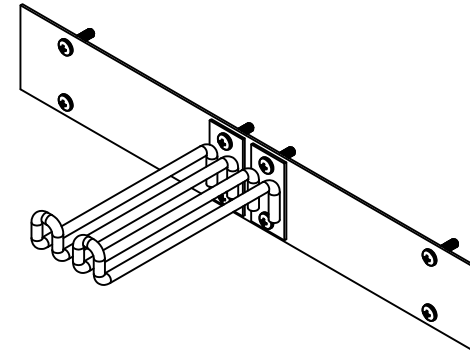


Bagwell Side configuration

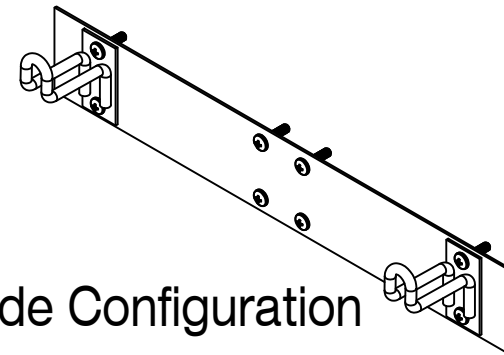


POS Side Configuration

Recyclable Plastic/Paper Bags

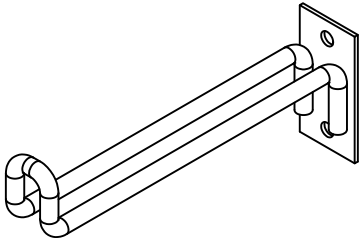


Bagwell Side configuration

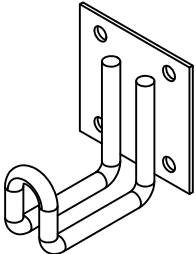


POS Side Configuration

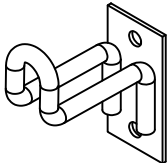
Part List



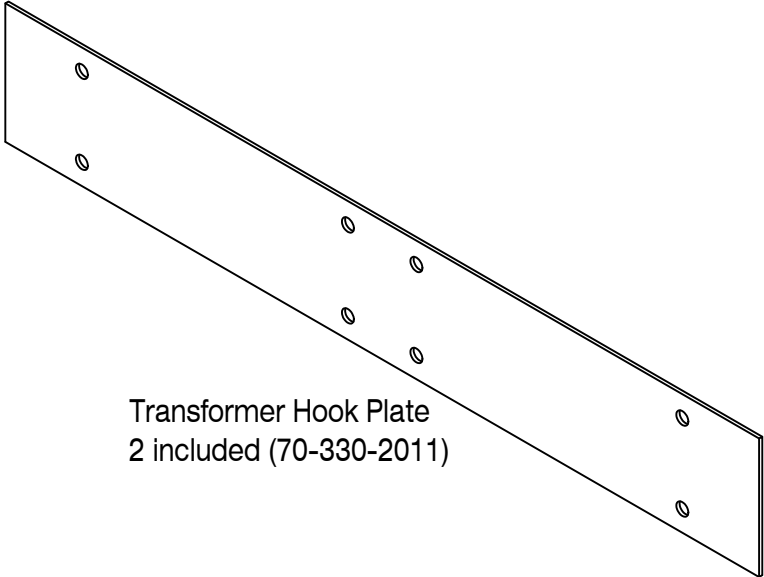
5" Hook with 90° Bend
2 included (30-801-0083)



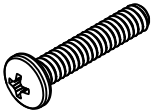
#2 Center Hook
2 included (30-801-0087)



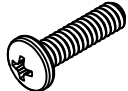
2" Hook with 90° Bend
2 included (30-801-0082)



Transformer Hook Plate
2 included (70-330-2011)



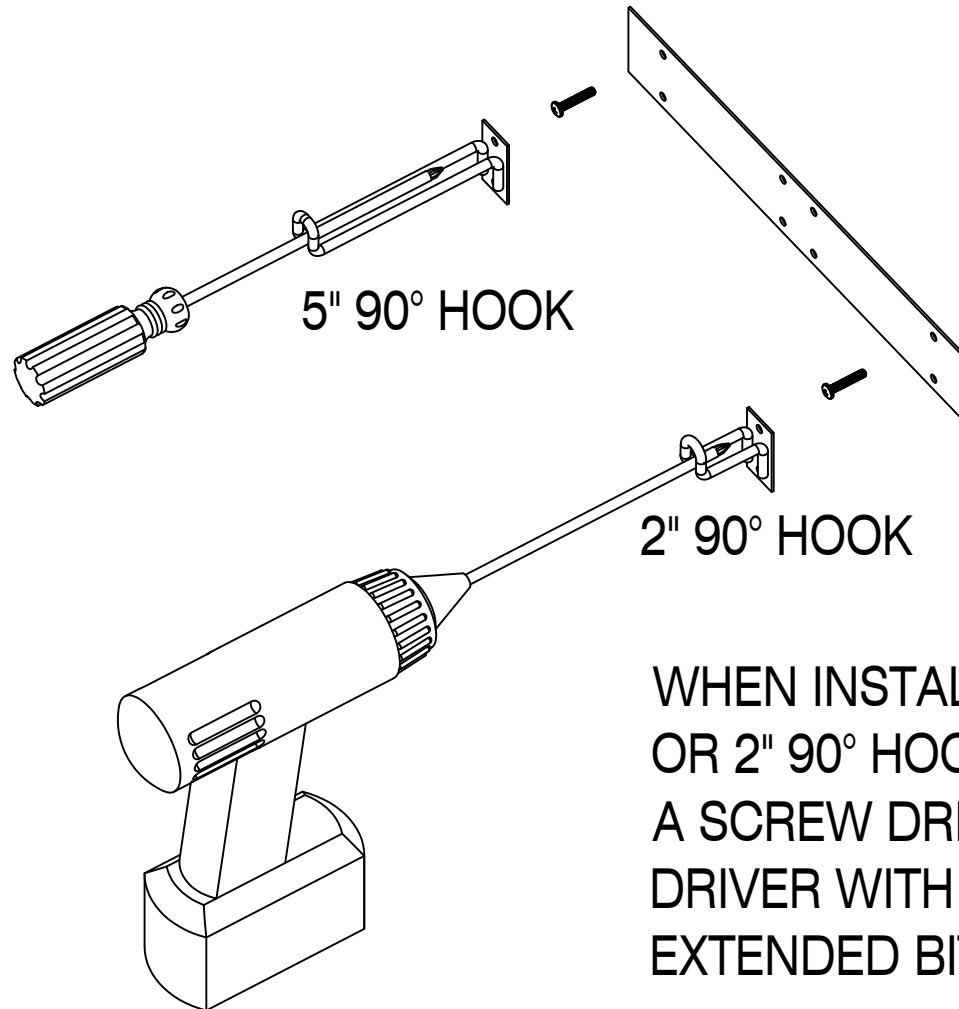
10-24 X 1" Panhead
Machine Screw (Black)
16 included with L-Series
Counters



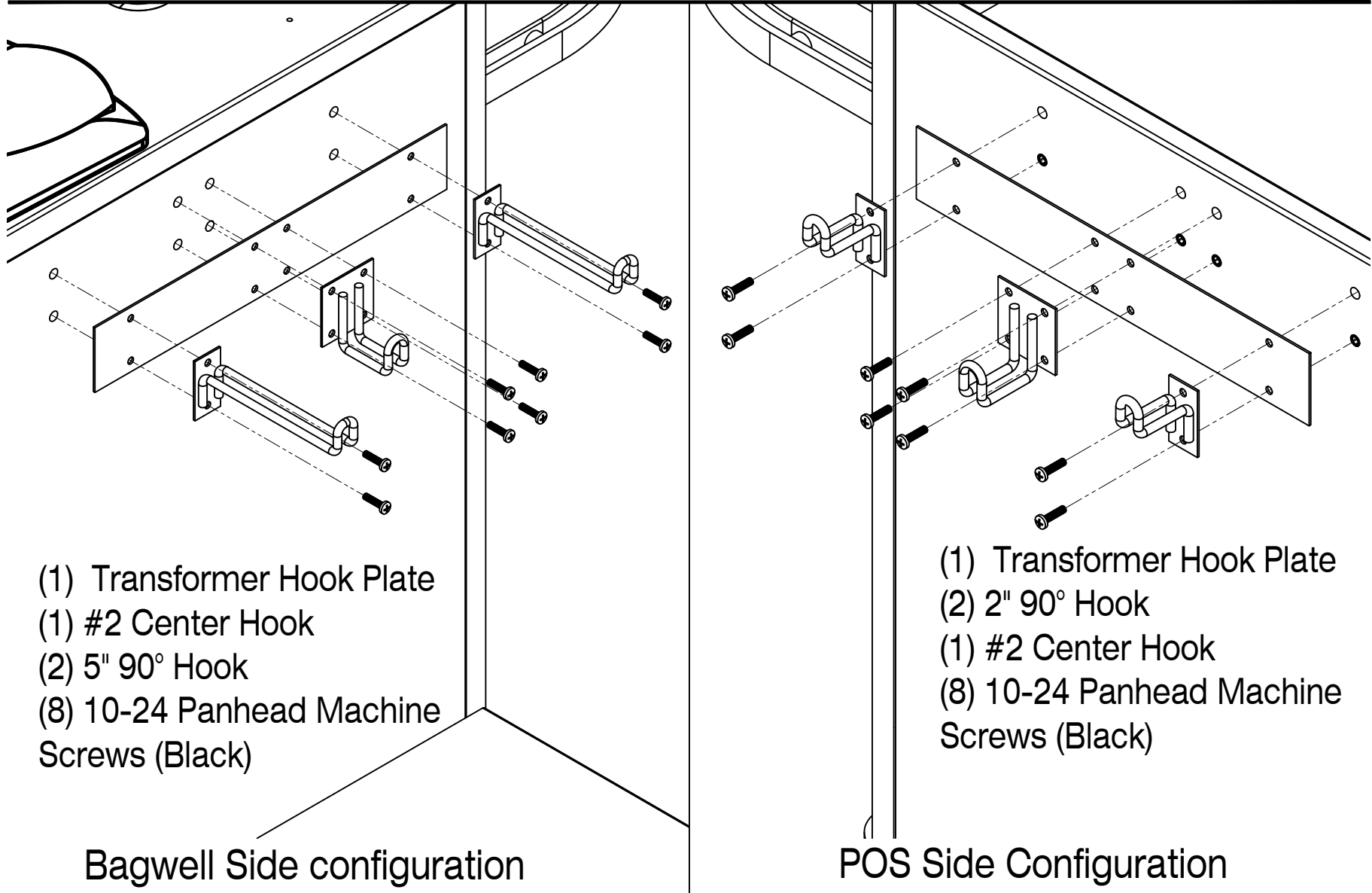
10-24 X 3/4" Panhead
Machine Screw (Black)
16 included with Inline
Counters

Depending on the counter the included hardware will have either (16) 10-24 X 1" or (16) 10-24 X 3/4" panhead machine screws, but will not include both.

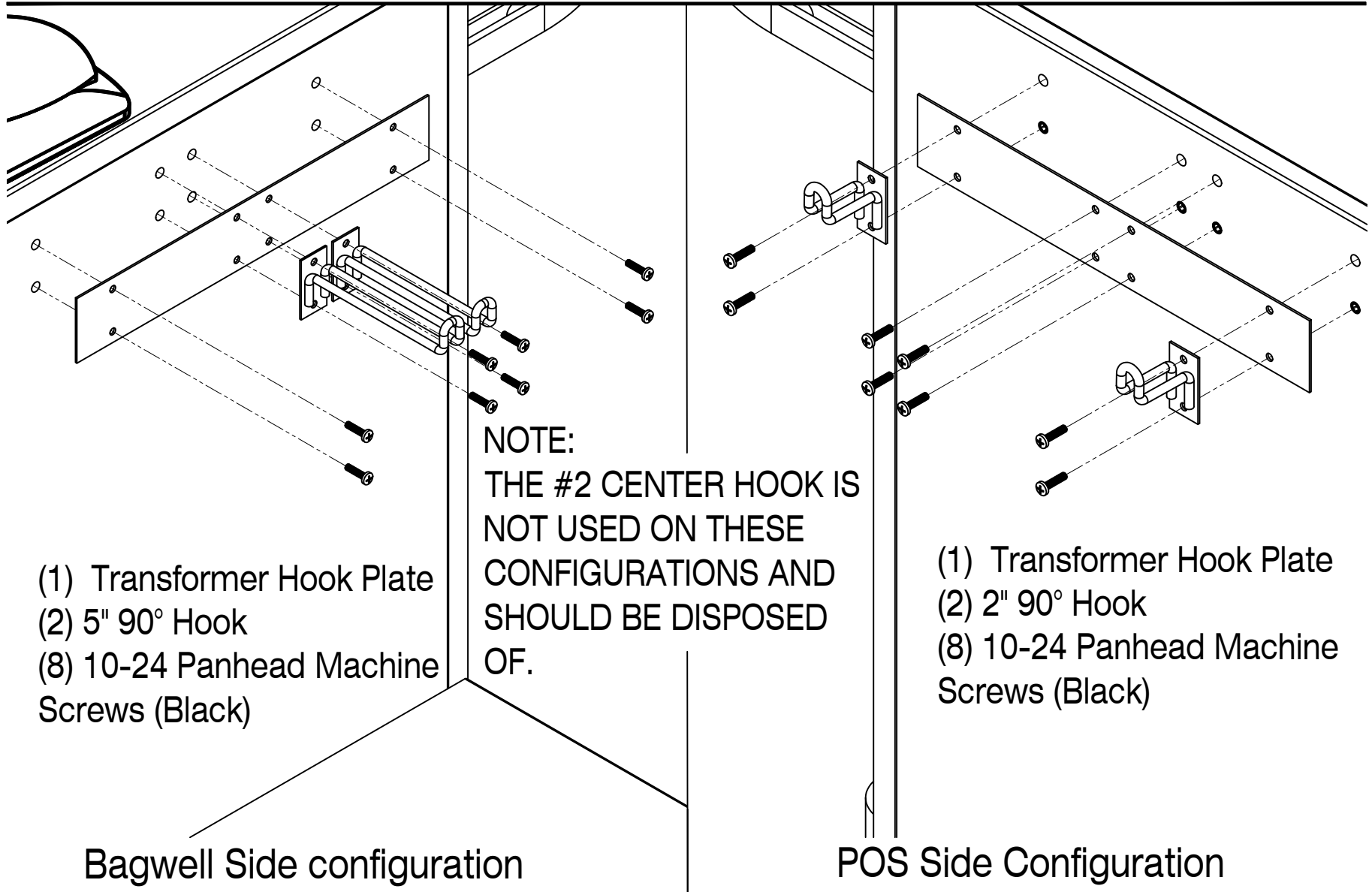
Tools Required



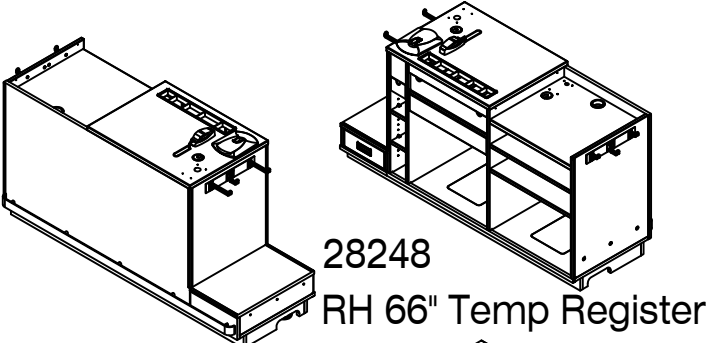
Single Use Disposable Bags



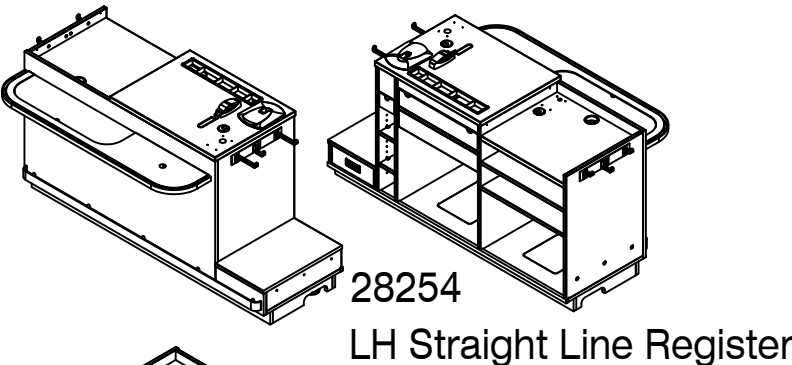
Recyclable Plastic or Paper Bag



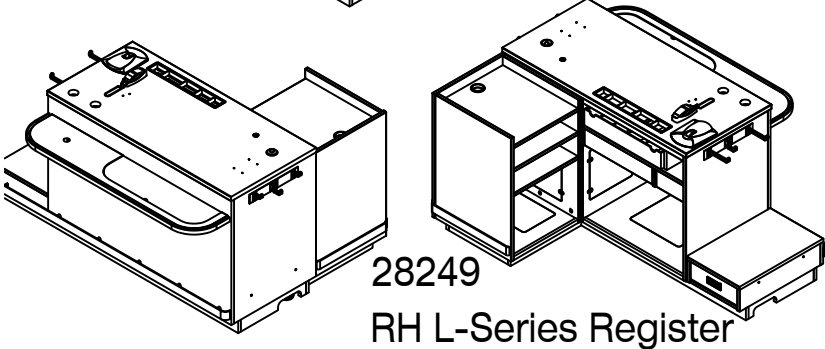
ROSS Counters



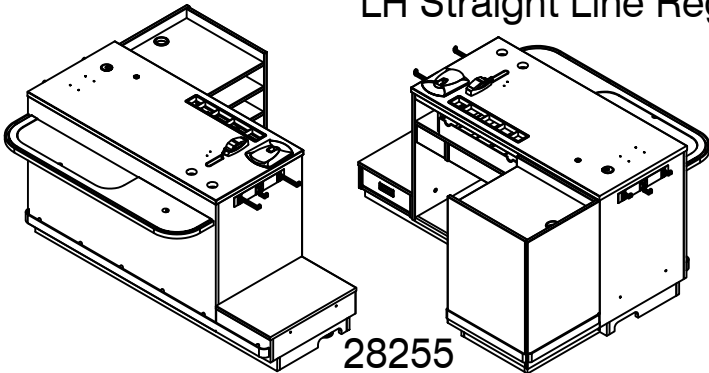
28248
RH 66" Temp Register



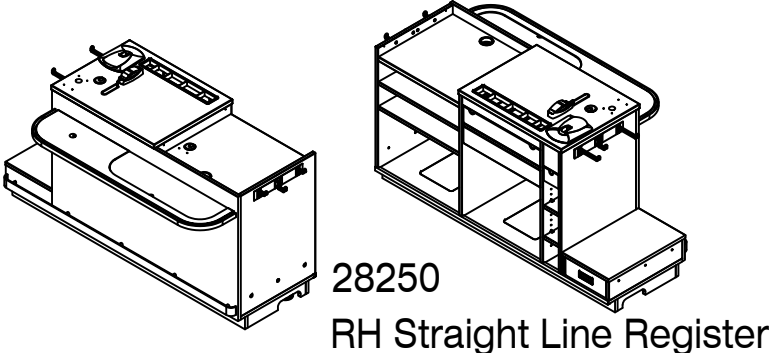
28254
LH Straight Line Register



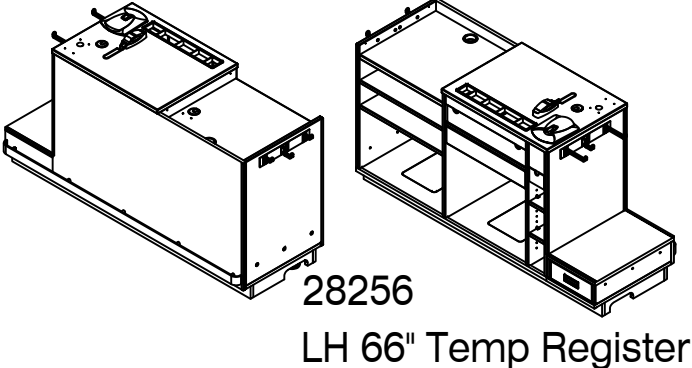
28249
RH L-Series Register



28255
LH L-Series Register

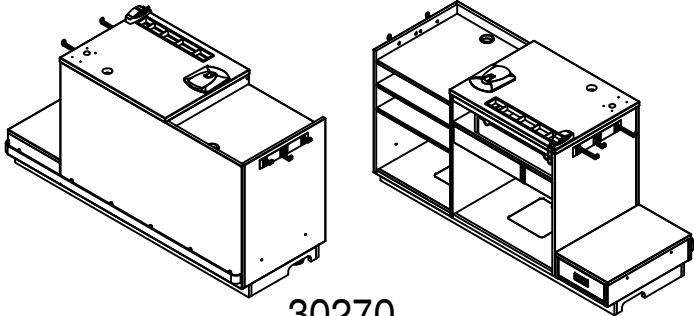


28250
RH Straight Line Register

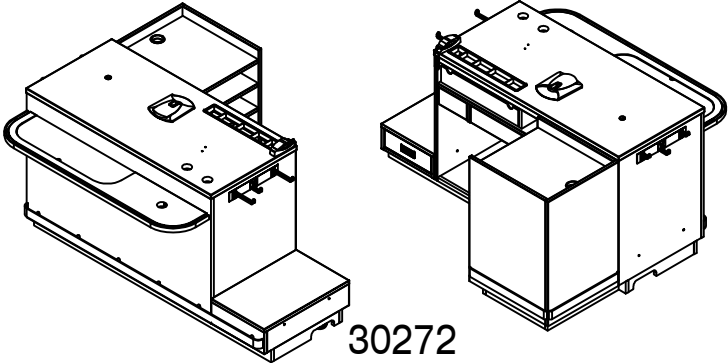


28256
LH 66" Temp Register

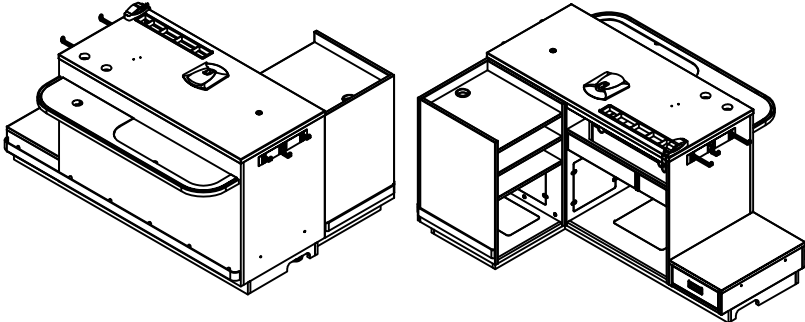
DDS Counters



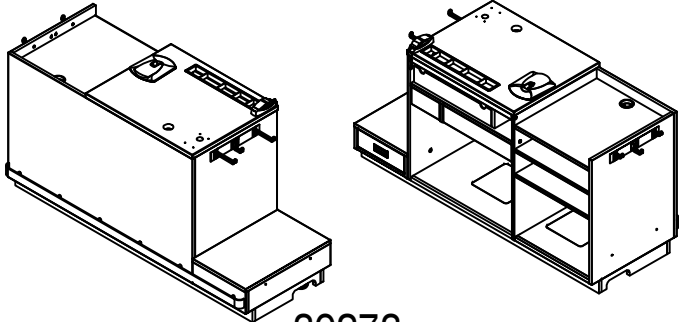
30270
RH Temp Register



30272
LH L-Series Register



30271
RH L-Series Register



30273
LH Temp Register