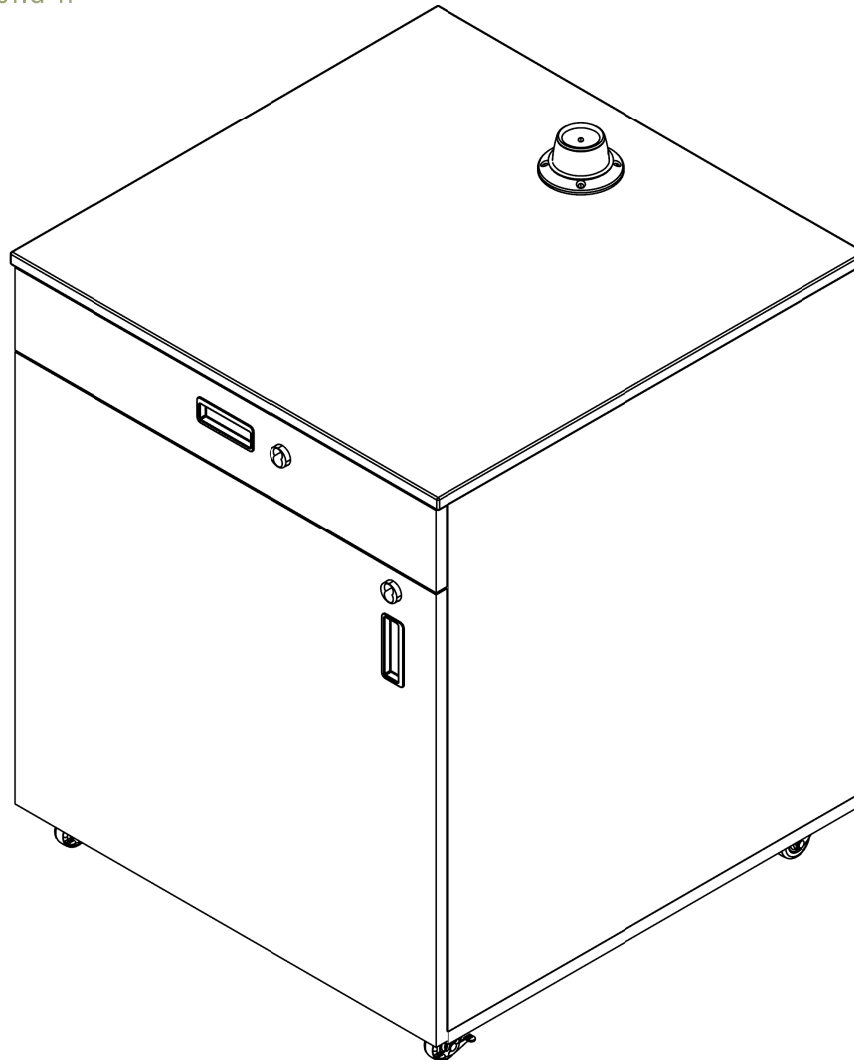




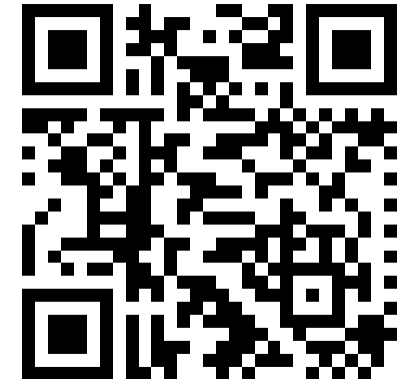
imagine it • design it • build it®

35174 - TELOS CABINET 3.0

ASEMBLY INSTRUCTIONS

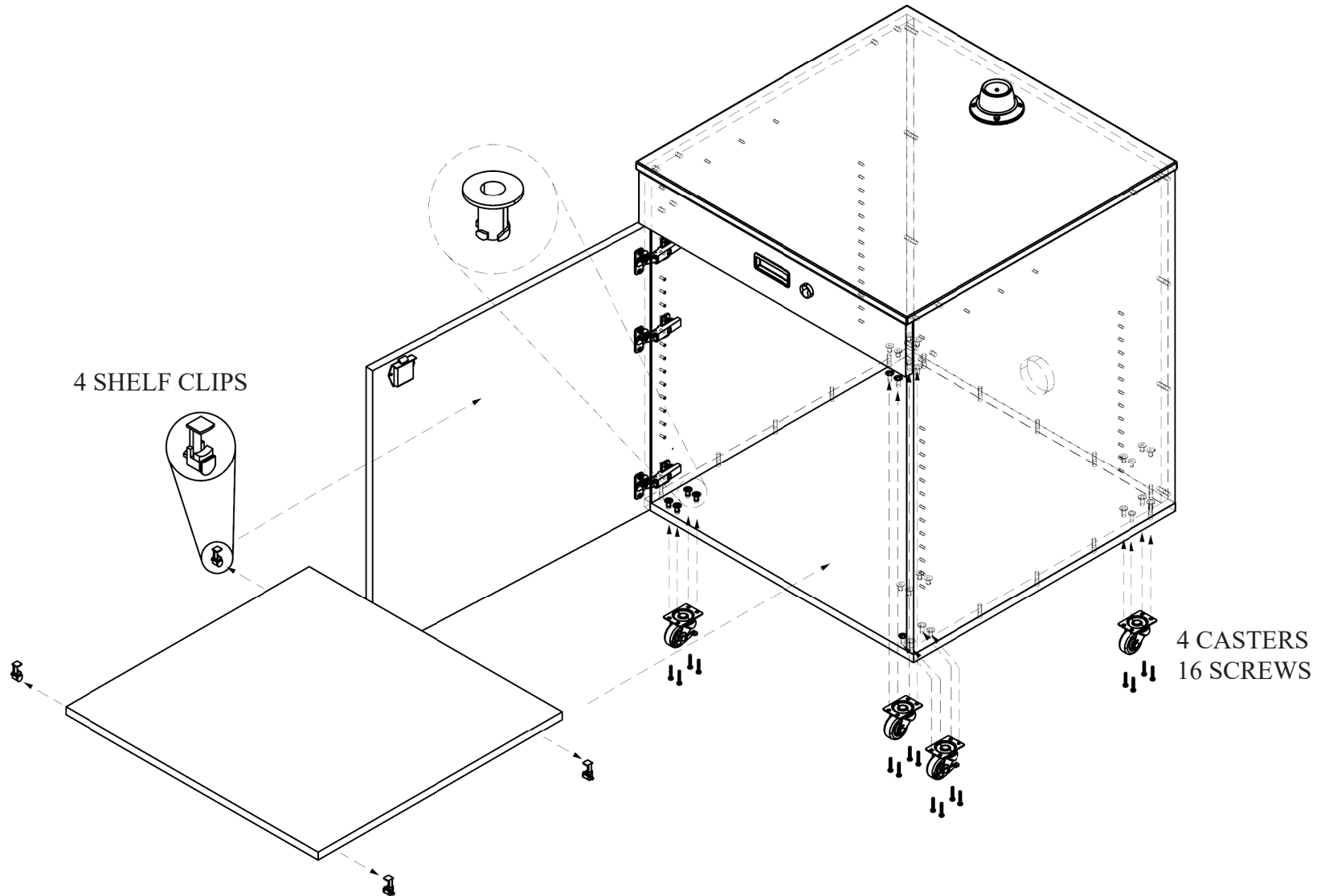


QR CODE FOR
WEBSITE VERSION



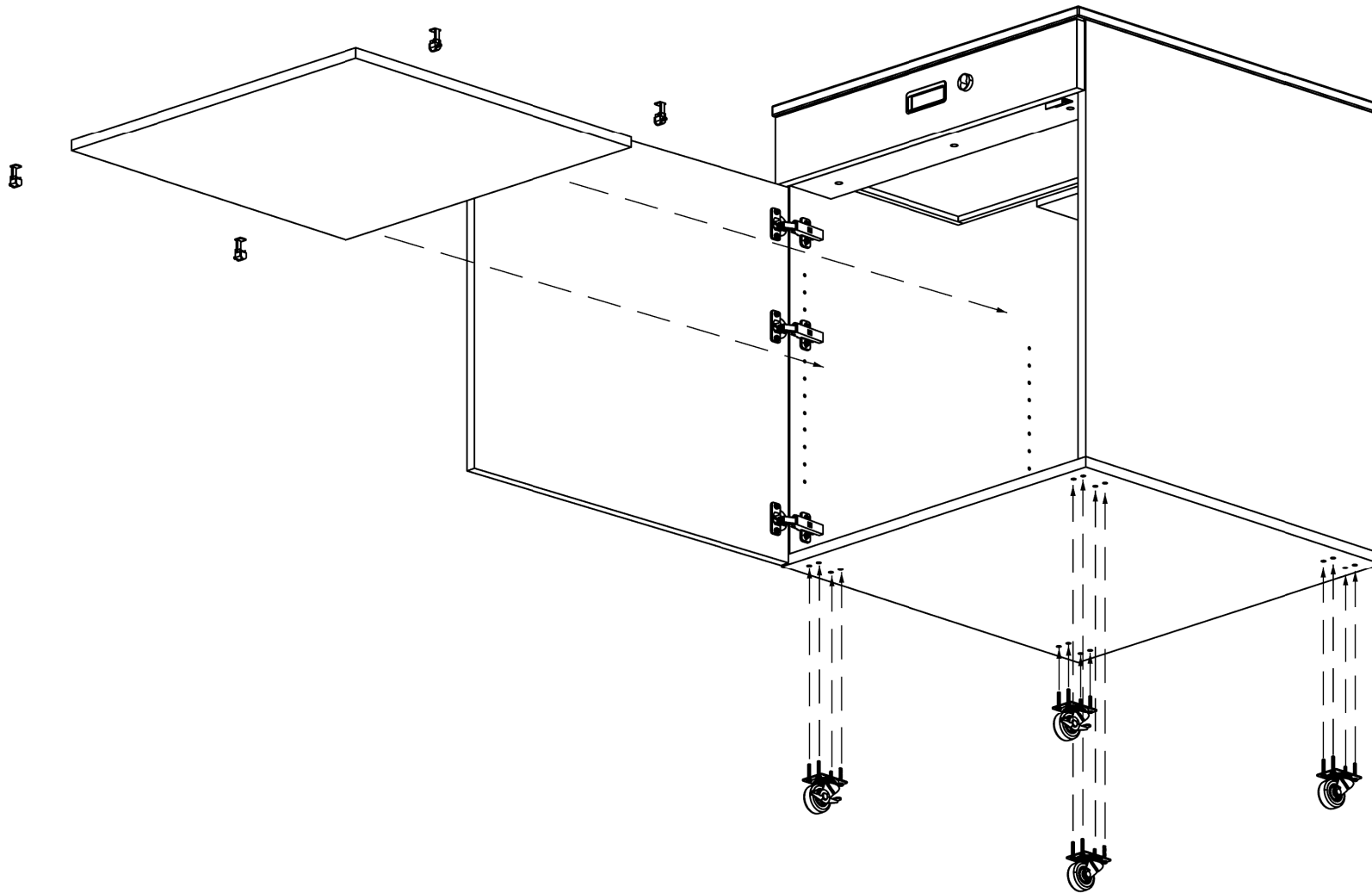
STEP 1

LOCATE 4 CASTERS AND 4 SHELF CLIPS FOR ATTACHING TO CABINET



STEP 2

USING (16) 1/4-20 X 3/4" PHILLIPS MACHING SCREW ATTACH (4) CASTERAS SHOWN BELOW.
PROPELL NUT (1/4-20) ALREADY IN PLACE.



STEP 3

IMPORTANT NOTE: MAKE SURE THE SHELF CLIP STANDS AS SHOWN BELOW TO CORRECTLY PLACE SHELVE.

